



*Industrial &
Plant Spares*



LIGHTING TOWER PARTS 2017-2018



WELCOME!

The lighting tower season is upon us once again and here at HTS we are ready and waiting!

Over the past fifteen years we have firmly established ourselves as the market leader in the supply of quality, genuine fitment parts to suit many of the most widely used lighting towers operating in the UK.

As times have changed, so have lighting towers and we are excited to introduce our latest range of parts to suit the Trime X-ECO LED units.

We are now also stocking the new Superbright® LED lighting system. The easy-to-fit head that can be fitted to a VB9 machine in a matter of minutes!

With literally thousands of parts in stock to suit VT1, VT2, VB9, TL35/90, Trime, Terex and Bruno we are guaranteed to have the part you are after.



CONTENTS

TRIME X-ECO	Page 4-7
TOWERLIGHT VB9	Page 8-15
TOWERLIGHT VT1	Page 16-23
SMC TL35 / TL90	Page 24-27
SPECIAL OFFERS	Page 28



TRIME X-ECO

Introducing the
brand new range of
TRIME X-ECO
parts....





LED DRIVER UNIT

- OEM number: AC000_E026_006

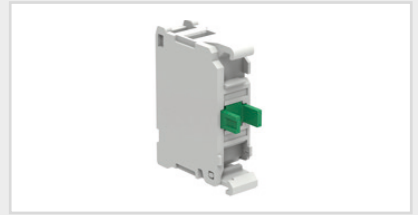
Code	Price
HEL2053	£145.88



UP/DOWN SWITCH COMPLETE

- Includes contacts
- OEM number: S1000_G006_006

Code	Price
HEL1029	£22.71



UP/DOWN SWITCH CONTACT

- N/O contact for Lovato switch

Code	Price
HEL1042	£3.95



MAST LOWERING/RELEASE VALVE

- Controls lowering of the mast

Code	Size (mm)	Price
HEL0672	40 x 93	£113.11



TOGGLE SWITCH ON/OFF

- 13mm diameter panel hole fitting
- 10AMP @ 12v DC rated

Code	Price
HEL0391	£8.85



RCD WITH TEST 13A

- Safety breaker switch
- OEM number: AC000_E012_028

Code	Price
HEL2223	£76.55



LIGHT SENSOR RELAY 12V

- OEM number: AC000_E016_002

Code	Price
HEL2224	£52.44



LIGHT SWITCH

- 16A. C curve MCB
- OEM number: AC000_E012_027

Code	Price
HEL2225	£11.51



MINI-CONTACTOR 12V 20A

- 4 pole contactor
- OEM number: AC000_E006_054

Code	Price
HEL2074	£38.70



12A CIRCUIT BREAKER

- Over load breaker
- OEM number: AC000_E012_013

Code	Price
HEL1004	£15.56



GLASS FUSE HOLDER - PANEL MOUNTED

- For 32mm fuses up to 10AMP

Code	Price
HEL0336	£5.72



FUEL SHUT OFF SOLENOID - GENUINE

- OEM number: 16851-60014

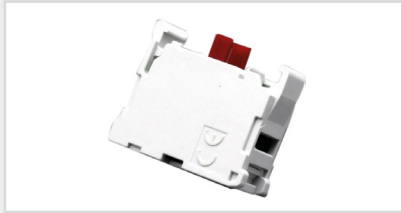
Code	Price
HEL0549	£142.65



STOP SWITCH (NEW STYLE)

- Requires: HEL1027

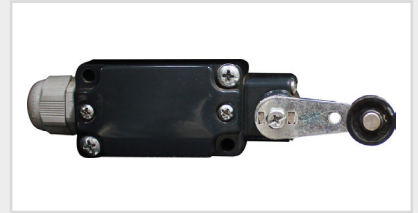
Code	Price
HEL1028	£29.35



STOP SWITCH CONTACT

- New type stop switch contacts for HEL1028. N/C contacts

Code	Price
HEL1027	£5.91



HANDBRAKE SWITCH

- OEM number: SI000_E006_009

Code	Price
HEL1008	£44.73



3 WAY WIRING CONNECTOR

- Pack of 10

Code	Price
HEL0348	£7.06



5 WAY WIRING CONNECTOR

- Pack of 10

Code	Price
HEL0351	£11.17



2 WAY WIRING CONNECTOR

- Pack of 10

Code	Price
HEL0346	£5.88



FUEL PUMP - 12V

- Steel bodied. 2 mounting feet
- 2 pin plug

Code	Price
HEL0301	£85.29



STARTER MOTOR

- 12 volt. 8 tooth
- OEM number: 16853-63011

Code	Price
HEL0901	£249.13



GENERATOR 3.5KVA

- Genuine Mecc Alte

Code	Price
HTL0919	£696.47



FUEL INDICATOR GAUGE

Code	Price
HEL0729	£44.00



MACHINE LEVEL BUBBLE

- Spirit level to level machine

Code	Price
HTL1054	£4.60



MAST LOCK

- OEM number: AC000_M000_003

Code	Price
HTL0478	£8.65



HANDBRAKE LEVER ASSEMBLY

- Comes with gas strut

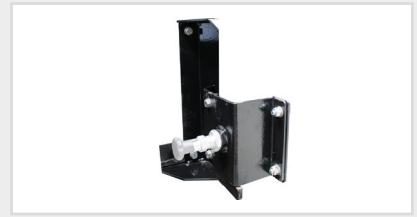
Code	Price
HTL0822	£112.49



JOCKEY WHEEL RETRACTABLE

- Plate mounted. Comes with fixing plate

Code	Price
HTL0486	£75.20



STABILIZER BRACKET L/H

- Powder coated

Code	Price
HTL0263	£44.71



STABILIZER BRACKET R/H

- Powder coated

Code	Price
HTL0277	£44.71



FILTER KIT

- Includes air, oil and fuel filters

Code	Price
HFK0014	£17.20



CH503 KEY

Code	Price
HKY0071	£1.60



WHEEL CHECK INDICATORS

- 19mm

Code	Price
HTL0469	£42.51



EXHAUST CAP

- Exhaust weather cap
- Diameter 1 5/8"

Code	Price
HTL2070	£7.35



MAST ROPE

- Dia 6mm x L 1460mm
- OEM number: AC000_M021_005

Code	Price
HTL0598	£25.15



MAST ROPE

- Dia 6mm x L 1415mm
- OEM number: AC000_M021_006

Code	Price
HTL0588	£25.15



MAST ROPE

- Dia 6mm x L 1385mm
- OEM number: AC000_M021_007

Code	Price
HTL0587	£25.15



MAST ROPE

- Dia 6mm x L 1440mm
- OEM number: AC000_M021_012

Code	Price
HTL0597	£25.15



VB9 200W LED HEAD & BRACKET

VB9 retro fit light

A full set of 4 can be fitted in 30 minutes

A high output 200w LED flood light

Ideal for lighting towers

Integrated ballast / driver

5000k cool white colour temperature

25,000 lumens

Average life of 50,000 hours

Tough non-corrosive aluminium die-cast housing

Rated IP66 - ideal for outdoor use

Adjustable tilt and turn brackets

1 metre cable

5 year warranty



Code	Price 1	Qty Brk	Price 2
HEL0310	411.76	4	£352.00



METAL HALIDE BULB 400W

- OEM number: 12662-02

Code	Price 1	Qty Brk	Price 2
SP000034	£22.50	6	£20.00



VB9 LAMP HEADS & LENSES

- Comes with: ballast, ignitor, & capacitor
- Requires lamp: HEL0446
- OEM: 12662-01. OEM (lens): 12662-03

Code	Description	Price 1	Qty Brk	Price 2
HEL0495	LAMP HEAD	£186.05	4	£173.51
HEL0496	LENS	£18.95	-	N/A

VB9 400W LAMP HEAD (NEW)

- Head c/w lamp, ballast and ignitor



Code	Type	Price
HEL1217	Complete head*	£149.35
HEL1218	Lens	£32.91
HEL1219	Ignition	£8.00
HEL1220	Ballast	£56.00



EARTH LEAKAGE BREAKER 40AMP 30MA

- OEM number: 6239

Code	Price
HEL0604	£65.25



LIGHT SWITCH SINGLE POLE 16AMP MCB

- OEM number: 7108

Code	Price 1	Qty Brk	Price 2
HEL0605	£19.95	4	£18.31



SWITCH BOX COVER - IP 65 RATED

- OEM number: 7234

Code	Price 1	Qty Brk	Price 2
HEL0606	£20.71	4	£18.31



10 AMP THERMAL TRIP SWITCH

- OEM number: 8669

Code	Amps	Price
HEL0647	10	£9.80



MAST LOWERING/RELEASE VALVE

- 230v
- OEM number: 7468-3

Code	Price
HEL0672	£113.11



MAST TOGGLE SWITCH

- Requires: 2 x HEL0681 contacts
- OEM number: 7302

Code	Price
HEL0680	£52.15



MAST TOGGLE SWITCH CONTACTS

- 2 per switch
- OEM number: 7303

Code	Price
HEL0681	£8.65



STOP SWITCH (NEW STYLE)

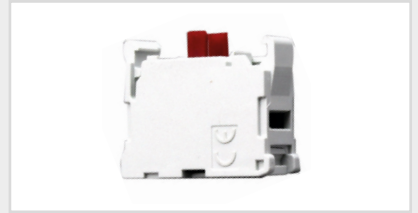
- Comes with contacts
- OEM number: 6188

Code	Price
HEL1028	£29.35



VB9 STOP SWITCH CONTACTS

Code	Description	Price
HEL0686	CONTACTS FOR OLD SWITCH (HEL0685)	£5.91



STOP SWITCH CONTACTS

- Stop switch contacts for HEL1028

Code	Description	Price
HEL1027	STOP SWITCH CONTACTS (NC CONTACTS)	£5.91



240V SURFACE MOUNTED SOCKET (16 AMP)

Code	Price 1	Qty Brk	Price 2
HEL0631	£9.75	6	£8.85



FUEL GAUGE ROUND STYLE

- OEM number: 11144

Code	Price
HEL0729	£44.00



FUEL SENDER UNIT

- In tank unit
- OEM number: 10580

Code	Price
HTL0586	£49.00



IGNITION SWITCH - HATZ

- OEM number: ED0050412740-s
- Key Type: HKY0011

Code	Price
HEL0916	£64.10



CH503 KEY

Code	Price
HKY0071	£1.60



14644 KEY

Code	Price
HKY0011	£1.76



MOTOR RUN CAPACITOR

- 25uf 450V
- OEM number: EX541500030

Code	Size (mm)	Price
HEL0822	40 x 93	£15.65



MAST MOTOR CAPACITOR 25UF

- 25uf 450v
- OEM number: 7468-2

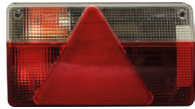
Code	Price
HEL0705	£26.00



HATZ CHARGING REGULATOR

- OEM number: 01723400

Code	Price
HEN0910	£135.00



VB9 REAR LAMP 5 FUNCTION HORIZONTAL 5 PIN

Code	Type	Price
HEL1139	Lamp L/H	£22.95
HEL1140	Lamp R/H	£22.95
HEL1141	Lens L/H	£9.60
HEL1142	Lens R/H	£9.60



VB9 GENERATOR

- Linz. 5 KVA.

Code	Price
HTL0925	£559.75



12 VOLT STARTER MOTOR 1KW

- Rotation: counterclockwise
- OEM number: 01723400. Non-genuine.

Code	Price
HEL1145	£229.41



SPIRIT LEVEL BUBBLE

- To level machine
- OEM number: 7237

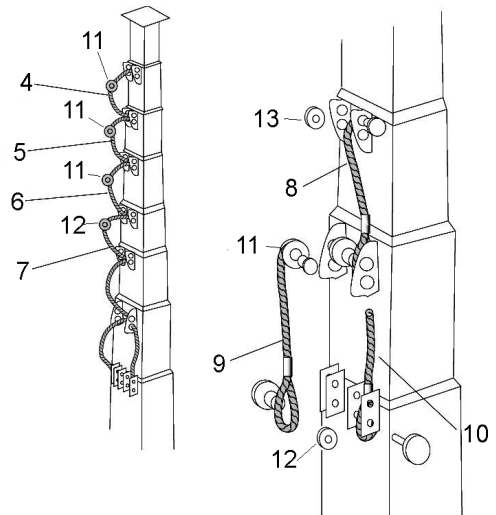
Code	Price
HTL1054	£4.60



MASK LOCK ASSEMBLY

- OEM number: 8178

Code	Stroke (mm)	Price
HTL0478	47	£8.65



VB9 MAST ROPES

Code	Position	Length (mm)	OEM Number	Price
HTL0595	4	1455	10392	£25.15
HTL0596	5	1430	10391	£25.15
HTL0588	6	1415	10390	£25.15
HTL0589	7	1400	10389	£25.15
HTL0587	8	1385	10388	£25.15
HTL0598	9	1460	10387	£25.15
HTL0597	10	1440	10386	£25.15



FUEL PUMP - STEEL ROUND BODY 12V

Code	Price
HEL0301	£85.29

For our full range of lighting tower parts, visit htsspars.com



KOHLER ENGINE FUEL FILTER

Code	Price
HFF0615	£11.35



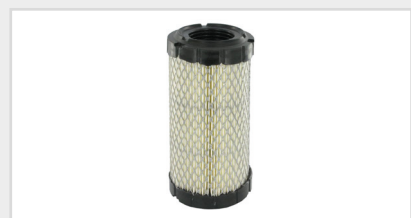
KOHLER ENGINE OIL FILTER (OLD TYPE)

Code	Price
HFO0025	£11.45



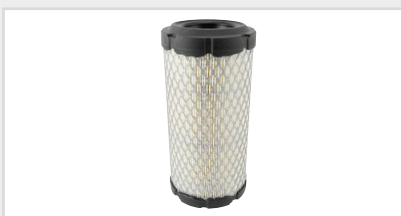
KOHLER ENGINE OIL FILTER (NEW TYPE)

Code	Price
HFO0079	£4.71



KOHLER ENGINE AIR FILTER

Code	Price
HFA0920	£34.25



AIR FILTER

Code	Price
HFA0816	£12.06



HATZ 1B20 AIR FILTER

Code	Price
HFA0800	£13.31



IN-LINE FUEL FILTER

- 5/16" tails
- Length: 105mm. Diameter: 48.4mm.

Code	Price
HFF0561	£5.71



OIL FILTER - HATZ

- OEM number: 04030100

Code	Price
HFO0134	£7.00



EXHAUST CAP

- Exhaust weather cap
- Diameter 1 5/8"

Code	Price
HTL2070	£7.35



GAS STRUT BONNET

- OEM number:9389

Code	A (mm)	B (mm)	C (mm)	Price
HTL1038	600	560	250	£30.51



7 PIN TRAILER SOCKET

- Plastic. 12 Volt.
- Matching plug HEL0129

Code	Price 1	Qty Brk	Price 2
HEL0128	£2.45	6	£2.15



PLASTIC 7 PIN TRAILER PLUG

- 12 Volt
- Matching socket HEL0128

Code	Price 1	Qty Brk	Price 2
HEL0129	£2.40	6	£2.00



7 PIN TRAILER SOCKET

- Aluminium. 12 Volt.
- Matching plug HEL0130

Code	Price 1	Qty Brk	Price 2
HEL0127	£3.85	6	£3.71



7 PIN TRAILER PLUG

- Aluminium. 12 Volt.
- Matching socket HEL0127

Code	Price 1	Qty Brk	Price 2
HEL0130	£3.65	6	£3.35



STABILISER TELESCOPIC ARM

- OEM number: 8697

Code	Price
HTL0488	£47.05



STABILIZER LOCKING BOLT

- OEM number: 7654

Code	Stroke (mm)	Price
HTL0478	47	£8.65



FRONT SUPPORT JACKS

- OEM number: 7880-Z

Code	Price
HTL0487	£76.25



JOCKEY WHEEL RETRACTABLE

- Plate mounted. Comes with fixing plate

Code	Price
HTL0486	£75.20



JOCKEY WHEEL 48MM DIA

- OEM number: 8453

Code	Price 1	Qty Brk	Price 2
HTL0091	£45.31	6	£40.40



PROP STAND - 42MM DIA X 600MM

- OEM number: 6229

Code	Price 1	Qty Brk	Price 2
HTL0155	£8.31	10	£7.95



PROP STAND CAST CLAMP C/W LEVER AND PAD

- Suits HTL0155

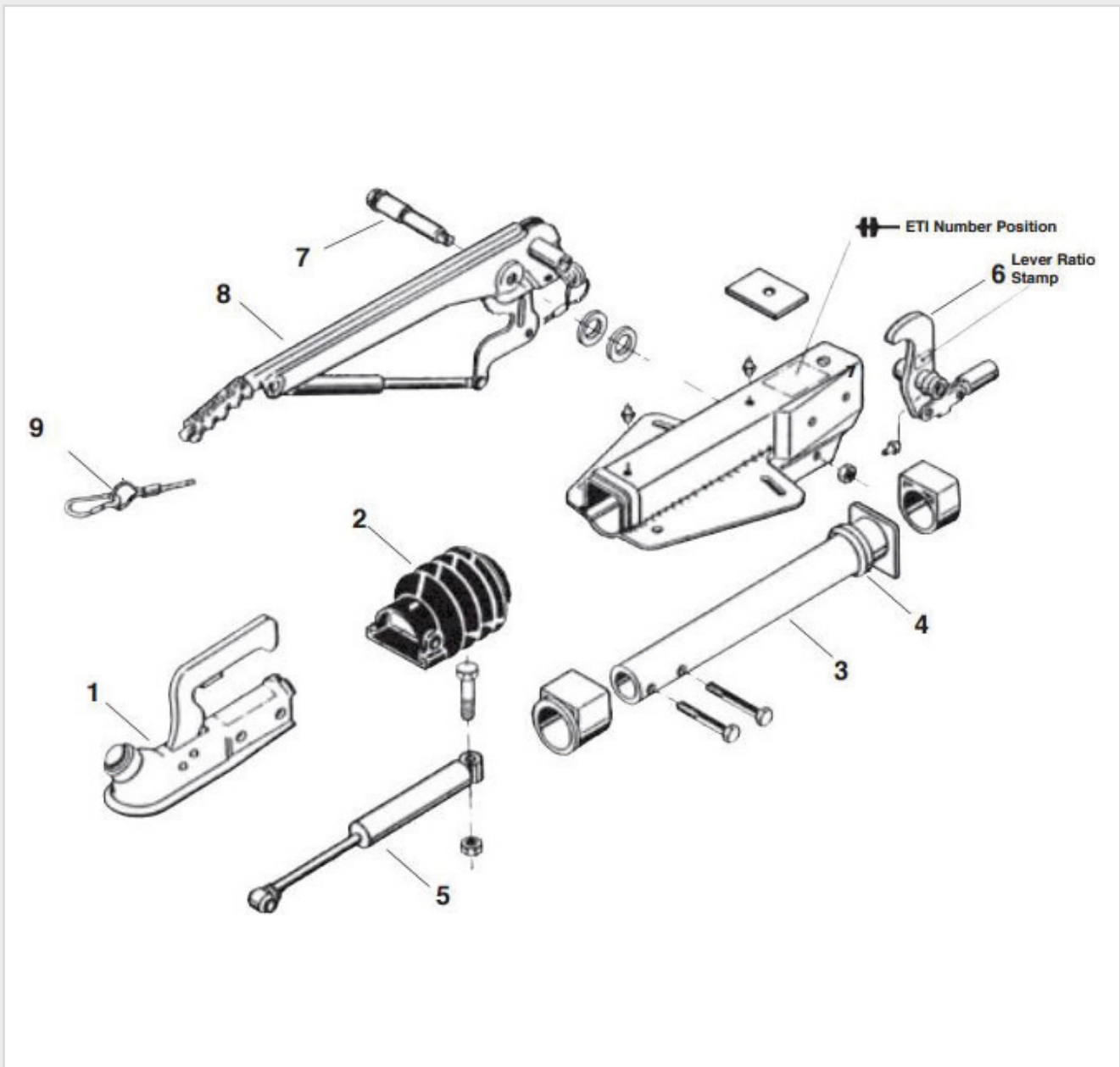
Code	Price 1	Qty Brk	Price 2
HTL0035	£14.95	6	£14.60



VB9 JOCKEY WHEEL CLAMPS

- To suit HTL0155. OEM number: 7507

Code	Dia (mm)	Price
HTL0025	42	£5.45
HTL0193	48	£5.60

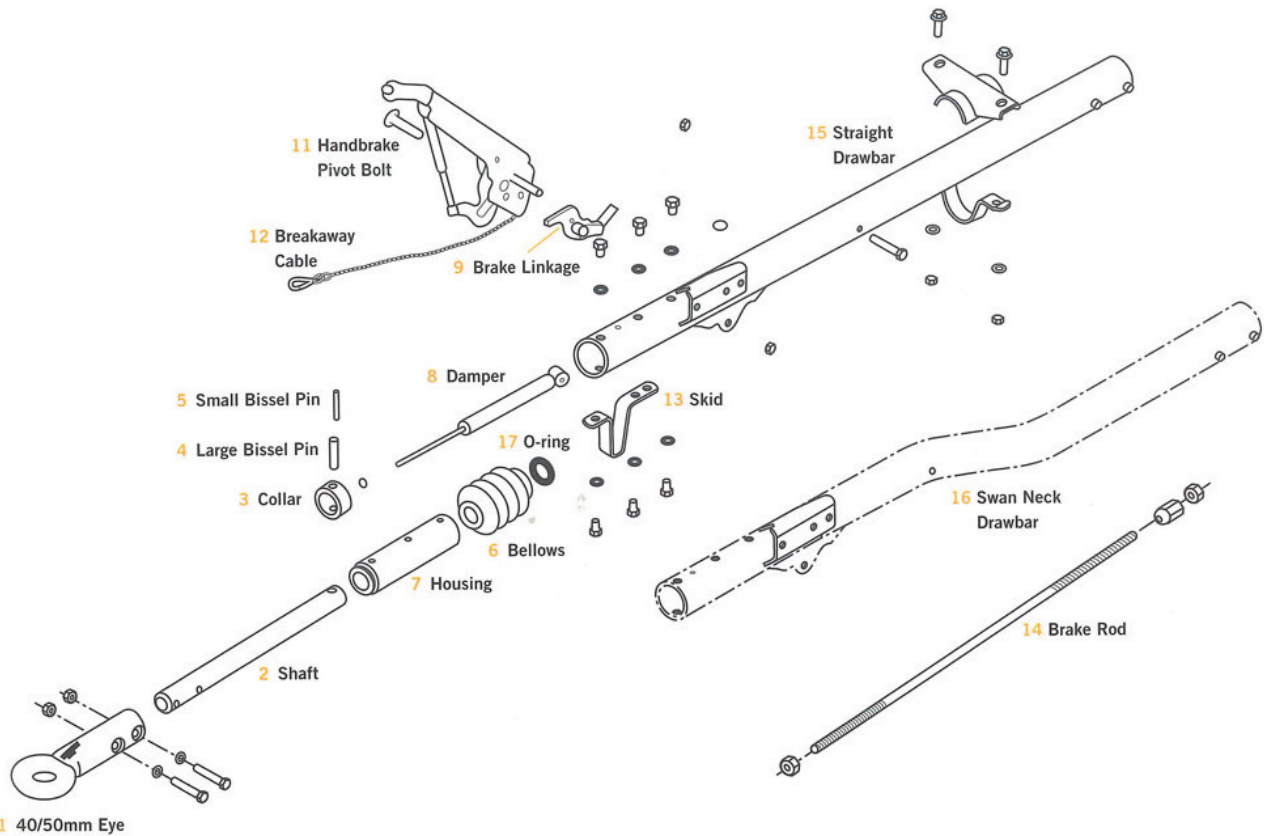


VB9 DRAWBAR PARTS (SQUARE TUBE)

Please note:

- These parts are for the ETI 811 027 hitch
- If your hitch is not this number or you require other parts in this drawing, please call us with your hitch number on 01432 373 350

Code	Description	Pic Ref	Price
HTL0799	PRESSED STEEL 50MM BALLHEAD HITCH	1	£44.49
HTL0800	CAST STEEL 50MM BALL HEAD HITCH	1	£187.45
HTL0803	SOLID DRAWBAR	2	£109.80
HTL0804	VB9 BUMP STOP	4	£2.94
HTL0806	BRAKE DAMPER	5	£112.49
HTL0808	HANDBRAKE PIVOT BOLT	7	£11.84
HTL0810	ALKO BREAKAWAY CABLE - GENUINE	9	£5.85
HTL0156	BREAKAWAY CABLE - PVC COATED	9	£2.29

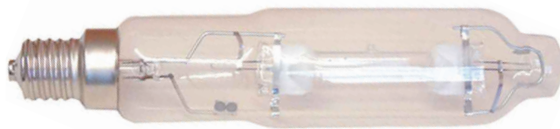


VB9 DRAWBAR PARTS (A FRAME/DELTA)

Please note:

- These parts are for the ETI 811 378 hitch
- If your hitch is not this number or you require other parts in this drawing, please call us with your hitch number on 01432 373 350

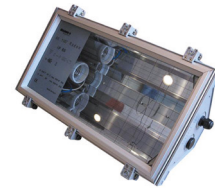
Code	Description	Pic Ref	Price
HTL0812	TOWING EYE 40MM	1	£102.75
HTL0814	50MM PRESSED STEEL BALL HEAD HITCH	1	£44.45
HTL0815	CAST STEEL BALLHEAD HITCH	1	£171.74
HTL0817	BELLOWS	2	£7.60
HTL0813	DRAWTUBE TO SUIT TOWING EYE	3	£144.31
HTL0816	DRAWTUBE TO SUIT BALLHEAD	3	£136.94
HTL0818	BUMP STOP SUIT	4	£7.54
HTL0819	DAMPER SUIT TOWING EYE	5	£96.40
HTL0820	DAMPER SUIT BALLHEAD	5	£102.89
HTL0821	HANDBRAKE PIVOT BOLT	7	£8.29
HTL0822	HANDBRAKE LEVER ASSEMBLY C/W GAS STRUT	8	£112.49



METAL HALIDE LAMP 1000W VTI

- Metal halide. E40 Base.
- 1000W. 240 Volt. OEM number: 7266

Code	Price 1	Qty Brk	Price 2
SP000030	£35.00	6	£30.00



VT1 LAMP HEAD (OLD STYLE)

- Replaces: 6264. Lens replaces: 8617

Code	Type	Price
HEL0471	Head	£353.80
HEL0472	Lens	£34.00

VT1 LAMP HEAD (NEW STYLE)

- Replaces: 6264
- Lens replaces: 8617



Code	Type	Price 1	Qty Brk	Price 2
HEL0486	Head	£163.25	3	£136.65
HEL0487	Lens	£30.51	-	N/A



VT1 LAMP HEAD ADJUSTING LEVER

- Replaces: 7217

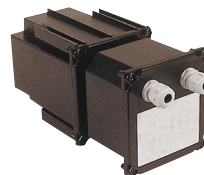
Code	Price
HEL0499	£12.80



LAMP IGNITOR

- 1000w Halide
- Replaces 7282

Code	Price
HEL0589	£28.71



BALLAST UNIT TO FIT GEN SET

- 1000w. IP66 Rated. Replaces 7267.

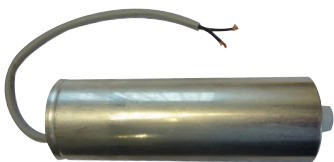
Code	Price 1	Qty Brk	Price 2
SP000415	£120.00	2	£115.00



LED LAMP HEAD INVERTER

- 2 x 1000w / 24v outputs. Comes with cables. Max output surge: 2500 watt

Code	Price
HEL0161	£206.62



GENERATOR CAPCITOR 120uf

- Fits Leroy Partner Generator
- OEM number: 1520

Code	Price
HEL0451	£209.35



GENERATOR CAPACITOR 40UF

- Fits: Linz
- OEM number: 7833-23

Code	Price 1	Qty Brk	Price 2
HEL0461	£39.60	6	£37.20



GENERATOR CAPACITOR 50UF

- Fits VT1 2003-2004
- OEM number: 18192

Code	Price 1	Qty Brk	Price 2
HEL0469	£48.40	6	£44.51



MAST MOTOR CAPACITOR 25UF

- 25uf 450v
- OEM number: 7468-2

Code	Price
HEL0705	£26.00



LIGHT SWITCH SINGLE POLE 16AMP MCB

- OEM number: 7108

Code	Price 1	Qty Brk	Price 2
HEL0605	£19.95	4	£18.31



EARTH LEAKAGE BREAKER 40AMP 30MA

- OEM number: 16.112

Code	Price
HEL0604	£65.25



UNDERVOLTAGE TRIP 230V TO SUIT HEL0605

- OEM number: 7109

Code	Price
HEL0628	£64.65



SWITCH BOX COVER - IP 65 RATED

- OEM number: 7234

Code	Price 1	Qty Brk	Price 2
HEL0606	£20.71	4	£18.31



STOP SWITCH (NEW STYLE)

- No contacts included. Can take up to 3 sets of contacts. Requires: HEL1027

Code	Price
HEL1028	£29.35



CONTACTS FOR OLD TYPE SWITCH

- Fits: Genset M6 SSY. Replaces: 4395

Code	Price
HEL0686	£5.91



STOP SWITCH CONTACTS

- Stop switch contacts for HEL1028
- N/C contacts. Fits: Genset M6 SSY

Code	Price
HEL1027	£5.91



MAST TOGGLE SWITCH

- Requires: 2 x HEL0681 contacts
- OEM number: 7302

Code	Price
HEL0680	£52.15



MAST TOGGLE SWITCH CONTACTS

- 2 per switch. OEM number: 7303

Code	Price
HEL0681	£8.65



HOUR METER ANALOGUE

- 230V
- OEM number: 6805

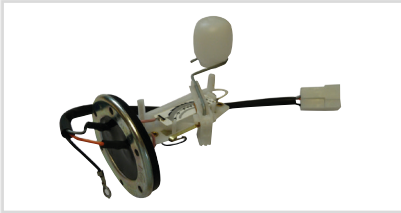
Code	Price
HEL0477	£25.65



FUEL GAUGE ROUND STYLE

- OEM number: 11144

Code	Price
HEL0729	£44.00



FUEL LEVEL MONITOR UNIT

- OEM number: 7644

Code	Price
HTL0582	£46.51



TRIP PROTECTION SWITCH

Code	Description	Price
HEL0647	10 AMP TRIP SWITCH	£9.80
HEL0839	CIRCUIT BREAKER WEATHER PROOF BUTTON COVER	£4.25



CH503 KEY

Code	Price
HKY0071	£1.60



MAST LOWERING/RELEASE VALVE

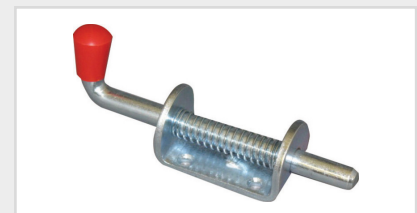
- 230v solenoid valve controls lowering of the mast. OEM number: 7468-3

Code	Price
HEL0672	£113.11



UNDERVOLTAGE TRIP 230V TO SUIT HEL0605

Code	Price
HEL0628	£64.65



MAST LOCK ASSEMBLY

- OEM number: 7654

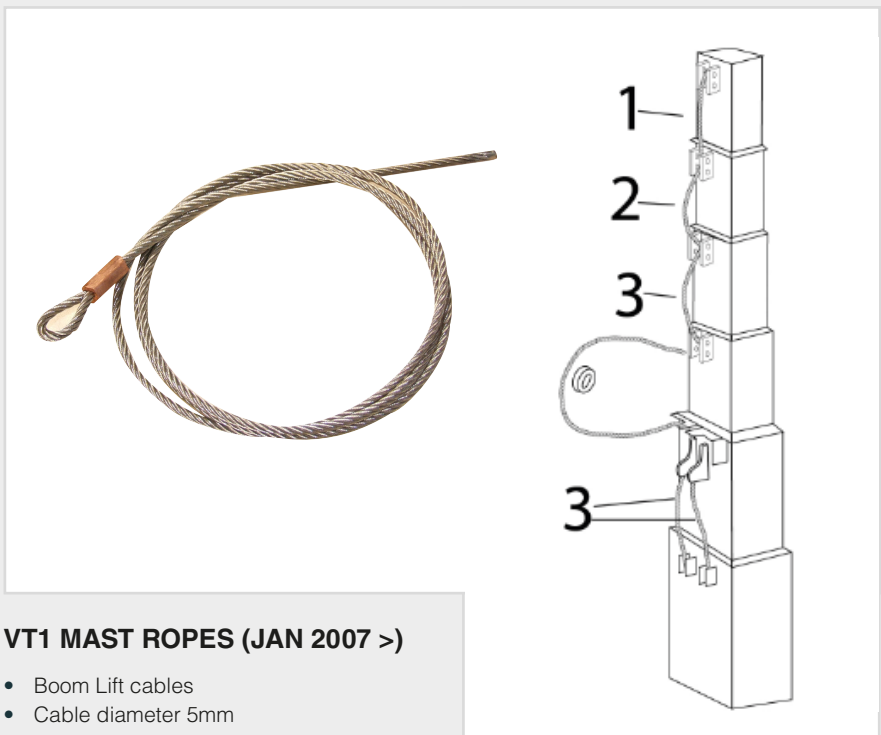
Code	Stroke (mm)	Price
HTL0478	47	£8.65



MACHINE LEVEL GAUGE

- OEM number: 7237

Code	Price
HTL1054	£4.60



VT1 MAST ROPES (JAN 2007 >)

- Boom Lift cables
- Cable diameter 5mm
- Serial no's SH700000

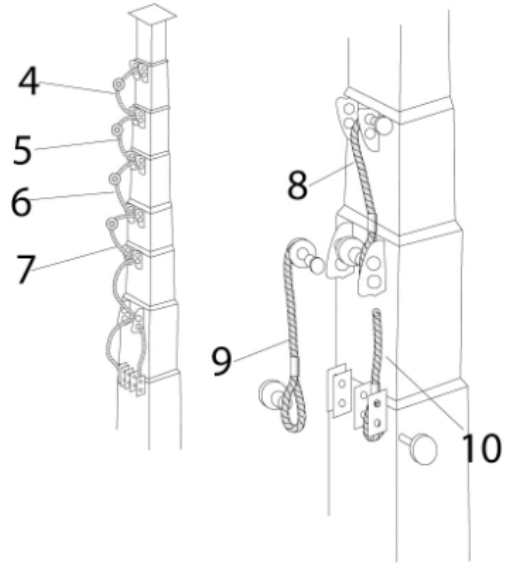
Code	Position	Length (mm)	OEM Number	Price
HTL0590	1	1460	C0005-1460	£25.15
HTL0591	2	1470	C0005-1470	£25.15
HTL0592	3	1480	C0005-1480	£25.15



VT1 MAST ROPES (2003-2006)

- OEM number: 6266. Jan 2003 - Dec 2006. Serial no's 300 000 - SH600 000

Code	Price
HTL0585	£15.71



VT1 MAST ROPES 2008 ONWARDS

- Mast Lift Cable
- Cable diameter: 5mm

Code	Position	Length (mm)	OEM Number	Price
HTL0595	4	1455	10392	£25.15
HTL0596	5	1430	10391	£25.15
HTL0588	6	1415	10390	£25.15
HTL0589	7	1400	10389	£25.15
HTL0587	8	1385	10388	£25.15
HTL0598	9	1460	10387	£25.15
HTL0597	10	1440	10386	£25.15



IGNITION SWITCH - KUBOTA TYPE

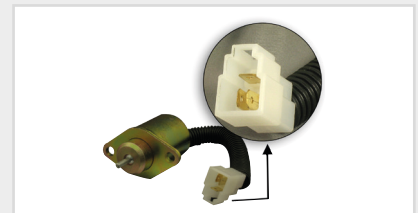
- Key type HKY0084

Code	Price
HEL0279	£72.75



DD KEY

Code	Price
HKY0084	£1.85



VT1 STOP SOLENOID

- OEM number: 17454-60010

Code	Type	Price
HEL0535	Non-genuine	£99.50
HEL1535	Genuine	£123.80



KUBOTA ALTERNATOR ASSEMBLY

- OEM number: 16231-64010

Code	Price
HEL0579	£152.45

VT1 TOWERLIGHT GENERATOR

- Linz. 9 KVA.
- Outputs @1500 rpm: 230v 50Hz = 39 AMP.
- OEM number: 7833

Code	Price
HTL0926	£970.59





VT1 ENGINE GLOW PLUG

- OEM number: 16851-65510

Code	Price
HEN0009	£15.49



VT1 EXHAUST CAP

Code	Price
HTL2070	£7.35



FAN BELT TO SUIT KUBOTA D1105 AND VT1

- OEM number: 16282-97012

Code	Price
HTL0669	£19.85



AIR FILTER (INNER)

- OEM number: TA040-93220

Code	Price
HFA0815	£18.53



AIR FILTER (OUTER)

- OEM number: TA040-93230

Code	Price
HFA0814	£13.24



OIL FILTER

- OEM number: 16271-32092

Code	Price
HFO0013	£4.41



IN-LINE FUEL FILTER - LARGE

- Stepped tails: 1/4" (6mm) & 5/16" (8mm). OEM no: 11.598, 3421 & 8028

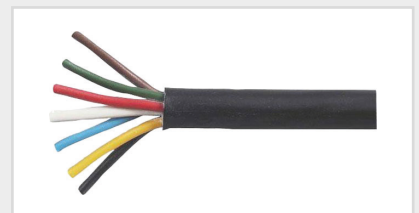
Code	Price
HFF0542	£1.35



FUEL FILTER

- OEM number: 15221-43081

Code	Price
HFF0567	£4.71



VT1 7 CORE TRAILER CABLE

Code	Length (mtr)	Price
HEL0126	1	£1.90
HEL0041	30	£48.51
HEL0042	100	£144.40

VT1 REAR TRAILER LAMPS

- 5 Function rear horizontal rear lamp
- 12v. Size (WxHxD): 220 x 140 x 60mm
- Bulbs included

Bulb types:

- 3 x 21w LLB0382
- 1 x 21/5w LLB0380



Code	Description	Price 1	Qty Brk	Price 2
HEL0510	Lamp L/H	£12.51	6	£11.05
HEL0511	Lamp R/H	£12.51	6	£11.05
HEL0520	Spare Lens L/H	£4.40	6	£3.85
HEL0521	Spare Lens R/H	£4.40	6	£3.85



7 PIN TRAILER SOCKET

- Aluminium. 12 Volt
- Matching plug HEL0130

Code	Price 1	Qty Brk	Price 2
HEL0127	£3.85	6	£3.71



7 PIN TRAILER SOCKET

- Plastic. 12 Volt
- Matching plug HEL0129

Code	Price 1	Qty Brk	Price 2
HEL0128	£2.45	6	£2.51



PLASTIC 7 PIN TRAILER PLUG

- 12 Volt
- Matching socket HEL0128

Code	Price 1	Qty Brk	Price 2
HEL0129	£2.40	6	£2.00



7 PIN TRAILER PLUG

- Aluminium. 12 Volt
- Matching socket HEL0127

Code	Price 1	Qty Brk	Price 2
HEL0130	£3.65	6	£3.35



BREAKAWAY CABLE

- Applies hand brake if trailer becomes unhitched in transit. PVC coated

Code	Price
HTL0156	£2.29



ALKO BREAKAWAY CABLE - GENUINE

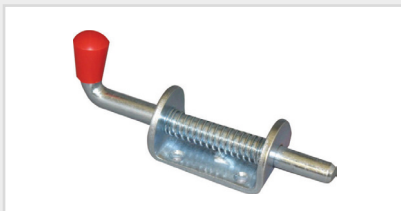
Code	Price
HTL0810	£5.85



JOCKEY WHEEL RETRACTABLE

- Plate mounted. Comes with fixing plate

Code	Price
HTL0486	£75.20



STABILIZER LOCKING BOLT

- OEM number: 7654

Code	Price
HTL0478	£8.65



STABILISER TELESCOPIC ARM

- Galvanised
- OEM number: 7881

Code	Price
HTL0488	£47.05



PROP STAND - 42MM DIA X 600MM

- OEM number: 6229

Code	Price 1	Qty Brk	Price 2
HTL0155	£8.31	10	£7.95



FRONT SUPPORT JACKS

- OEM number: 7880-Z

Code	Price
HTL0487	£76.25



CAST CLAMP C/W LEVER AND PAD 42MM

- To Suit HTL0155. OEM number: 7507

Code	Price 1	Qty Brk	Price 2
HTL0035	£14.95	6	£14.60



PRESSED STEEL CLAMP 42MM

- To Suit HTL0155. OEM number: 7507

Code	Price
HTL0025	£5.45

VT1 TRAILER WHEEL

- Rim Size: 4.5J x 13.
- Stud Size: M12
- PCD: 4 x 100mm.
- Offset: 30mm.
- Bore: 60mm. Tyre size: 175 R13. Tyre rating: 8 Ply. Tyre Load/Speed: 97/95N



Code	Type	Price
HTL0830	Wheel rim	£33.20
HTL0831	Tyre	£87.54
HTL0832	Tyre & rim	£120.74



VT1 BRAKE SHOE AXLE SET

- (Alko Type). Kit comes with shoes & springs. Shoe size: 200 x 50mm

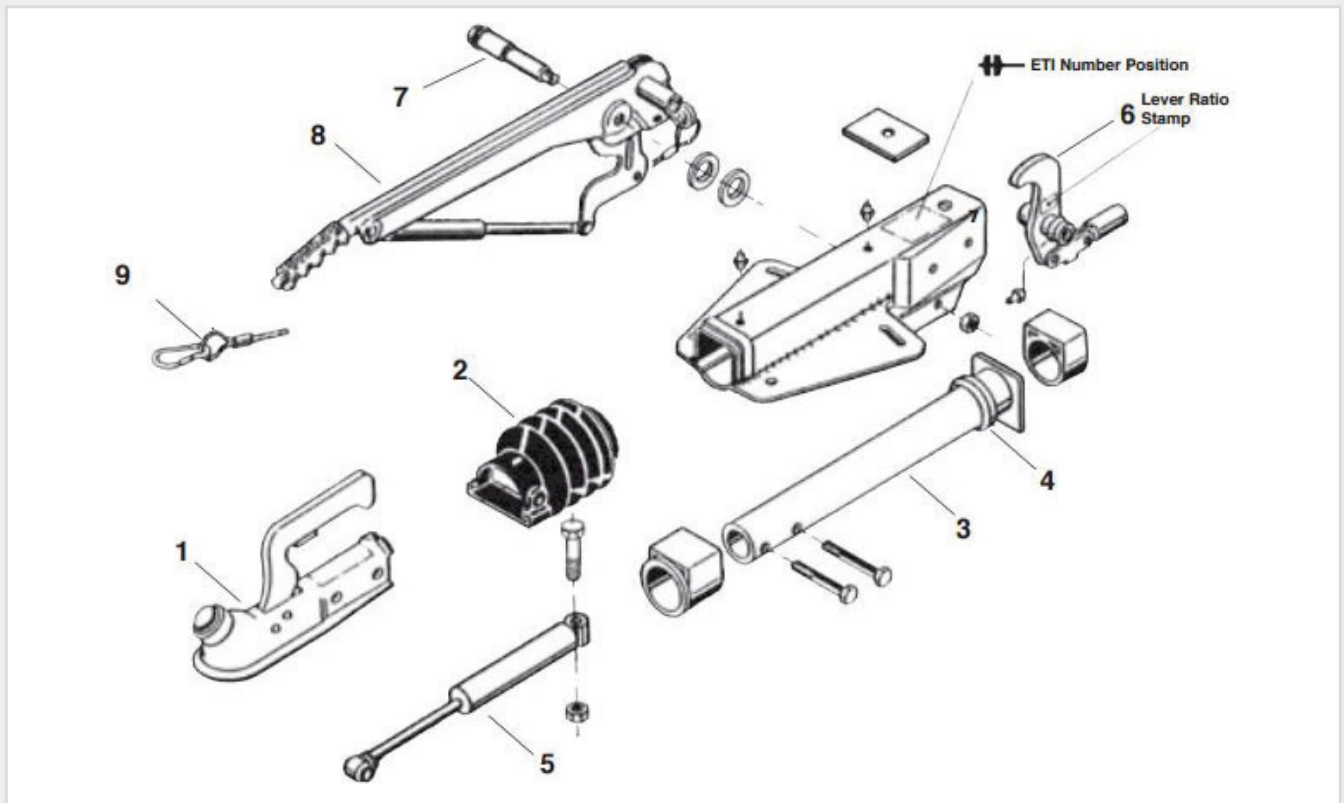
Code	Price
HTL0064	£73.00



WHEEL BEARING

- One-piece bearing sealed for life

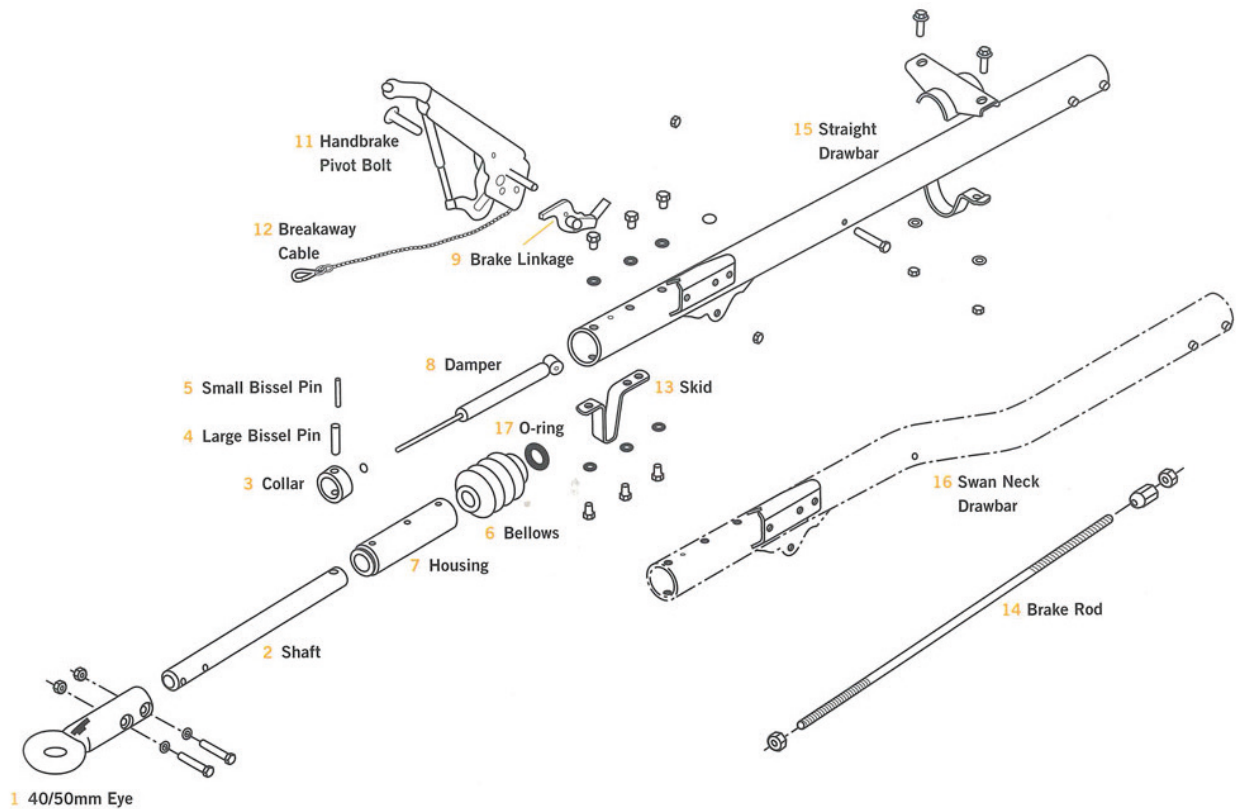
Code	Price
HTL0823	£22.60



VT1 DRAWBAR PARTS (A FRAME/DELTA)

- Please note:
- These part are for the ETI 811 027 hitch
- If your hitch is not this number or you require other parts in this drawing, please call us with your hitch number on 01432 373 350

Code	Description	Pic Ref	Price
HTL0814	50MM PRESSED STEEL BALL HEAD HITCH	1	£44.45
HTL0815	CAST STEEL BALLHEAD HITCH	1	£171.74
HTL0812	TOWING EYE 40MM	1	£102.75
HTL0817	BELLOWS	2	£7.60
HTL0813	DRAWTUBE TO SUIT TOWING EYE	3	£144.31
HTL0816	DRAWTUBE TO SUIT BALLHEAD	3	£136.94
HTL0818	BUMP STOP SUIT	4	£7.54
HTL0819	DAMPER SUIT TOWING EYE	5	£96.40
HTL0820	DAMPER SUIT BALLHEAD	5	£102.89
HTL0821	HANDBRAKE PIVOT BOLT	7	£8.29
HTL0822	HANDBRAKE LEVER ASSEMBLY C/W GAS STRUT	8	£112.49



VT1 DRAWBAR PARTS (120SR ROUND TUBE)

- Please note:
- These part are for the ETI 811 378 hitch
- If your hitch is not this number or you require other parts in this drawing, please call us with your hitch number on 01432 373 350

Code	Description	Pic Ref	Price
HTL0799	PRESSED STEEL 50MM BALLHEAD HITCH	1	£44.49
HTL0800	CAST STEEL 50MM BALL HEAD HITCH	1	£187.45
HTL0801	40MM TOWING EYE	-	£168.66
HTL0803	SOLID DRAWBAR	2	£109.80
HTL0804	VB9 BUMP STOP	4	£2.94
HTL0802	TOW HITCH BELLOWS	3	£7.69
HTL0805	GUIDE TUBE HOUSING	7	£82.09
HTL0806	BRAKE DAMPER (REPLACES 20724004)	5	£112.49
HTL0807	BRAKE LINK	9	£37.54
HTL0809	HANDBRAKE ASSEMBLY	10	£106.85
HTL0808	HANDBRAKE PIVOT BOLT	7	£11.84
HTL0810	ALKO BREAKAWAY CABLE - GENUINE	9	£5.85
HTL0156	BREAKAWAY CABLE - PVC COATED	9	£2.29
HTL0811	SWAN NECK DRAWBAR & COUPLING ASSEMBLY	1-14 & 16	£674.80



SMC TL90 LIGHTING TOWER GENERATOR

- Genuine Mecc Alte LT series generator.
- SMC TL90 fit.
- Single phase
- 4-pole brushless,
- 1500 rpm
- Capacitor controlled

Code	Price
HTL0126	£750.00



METAL HALIDE LAMP 1000W (REPLACES: PHILIPS HP1-T)

Code	Price 1	Qty Brk	Price 2
SP000032	£43.75	6	£40.00

SMC TL35 & TL90 LAMP HEAD 1000W (NEW STYLE)

- Head OEM number: 02E-528-000
- Replacement lens: 02E-528-002



Code	Description	Price
HEL0700	LAMP HEAD	£188.49
HEL0701	REPLACEMENT LENS	£37.71



LAMP HEAD (OLD STYLE)

- OEM no: 02E-525-000
- Lens: HEL0501. OEM no: 02E-525-006

Code	Description	Price
HEL0500	LAMP HEAD	£190.95
HEL0501	REPLACEMENT LENS	£31.15



SPRING BULB HOLDER CLIP

- Spring lamp holder
- Supports lamp in HEL0500 lamp head

Code	Price
HEL0552	£3.65



TL35 & TL90 GENERATOR CAPACITOR 35uf

- OEM number: 11E-004-001

Code	Price
HEL0825	£23.71



TL35 & TL90 MAST MOTOR CAPACITOR

- OEM number: 11E-007-000

Code	Price
HEL0705	£26.00



LAMP BALLAST UNIT 1000W

- To suit: HEL0500 lamp head
- OEM number: 11E-004-000

Code	Price
HEL0703	£163.51



TL90 BALLAST UNIT 1000W

- To suit: HEL0700 lamp head
- OEM number: 11E-010-000

Code	Price
HEL0704	£201.31



EARTH LEAKAGE BREAKER 40AMP 30MA

- OEM number: 13E-032-000

Code	Price
HEL0604	£65.25



LAMP SWITCH MCB

- OEM number: 13E-030-000

Code	Price 1	Qty Brk	Price 2
HEL0759	£19.91	4	£17.45



SOCKET SWITCH MCB

- OEM number: 13E-031-000

Code	Price 1	Qty Brk	Price 2
HEL0762	£19.91	4	£17.45

NEARSIDE LAMP (OLD STYLE)

- OEM number: 02E-940-000
- Replacement lens: HEL0520
- OEM number: 02E 940 008
- Bulb types:
- 3 x 21w LLB0382
- 1 x 21/5w LLB0380



Code	Description	Price 1	Qty Brk	Price 2
HEL0510	Lamp L/H	£12.51	6	£11.05
HEL0520	Spare Lens L/H	£4.40	6	£3.85

OFFSIDE LAMP (OLD STYLE)

- OEM number: 02E-940-001
- Replacement lens: HEL0521
- OEM number: 02E 940 007
- Bulb types:
- 3 x 21w LLB0382
- 1 x 21/5w LLB0380



Code	Description	Price 1	Qty Brk	Price 2
HEL0511	Lamp R/H	£12.51	6	£11.05
HEL0521	Spare Lens R/H	£4.40	6	£3.85

NEARSIDE LAMP (NEW STYLE)

- 5 function rear lamp assembly L/H
- 5 pin connection
- 12/24 volt



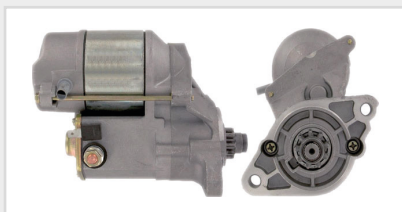
Code	Type	Price
HEL1139	Lamp L/H	£22.95
HEL1141	Lens L/H	£9.60

OFFSIDE LAMP (NEW STYLE)

- 5 function rear lamp assembly R/H
- 5 pin connection
- 12/24 volt



Code	Type	Price
HEL1140	Lamp R/H	£22.95
HEL1142	Lens R/H	£9.60



STARTER MOTOR

- OEM number: 20k-560-000

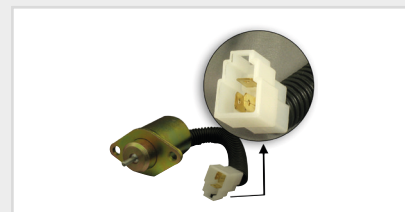
Code	Price
HEL0571	£219.60



ALTERNATOR ASSEMBLY

- OEM number: 20k-564-000

Code	Price
HEL0579	£152.45



FUEL SHUT-OFF SOLENOID

Code	Type	Price
HEL0535	Non-genuine	£99.50
HEL1535	Genuine	£123.80

FUEL PUMP STEEL ROUND BODY 12V

- Steel round bodied fuel pump 12 volt
- 2 Mounting feet
- 2 Pin Plug



Code	Price
HEL0301	£85.29

MAST ELECTRIC WINCH

- Super winch S4000
- 12V
- Pulling capacity: 1.8 tonne
- 5mm x 18m wire rope



Code	Price
HLS0288	£400.85

TL90 STABILISER PROP LEG

- 48mm diameter
- OEM number: 20K-427-011



Code	Price 1	Qty Brk	Price 2
HTL0167	£15.00	10	£11.15

SMC ECO90 REAR TELESCOPIC PROPSTAND (NEW STYLE)

- Size: 48 x 600mm
- OEM number: 20K.725.000



Code	Price
HTL0798	£54.29

TL35 & TL90 STABILISER PRESSED STEEL CLAMP

- 48mm diameter
- OEM number: 20K-427-020



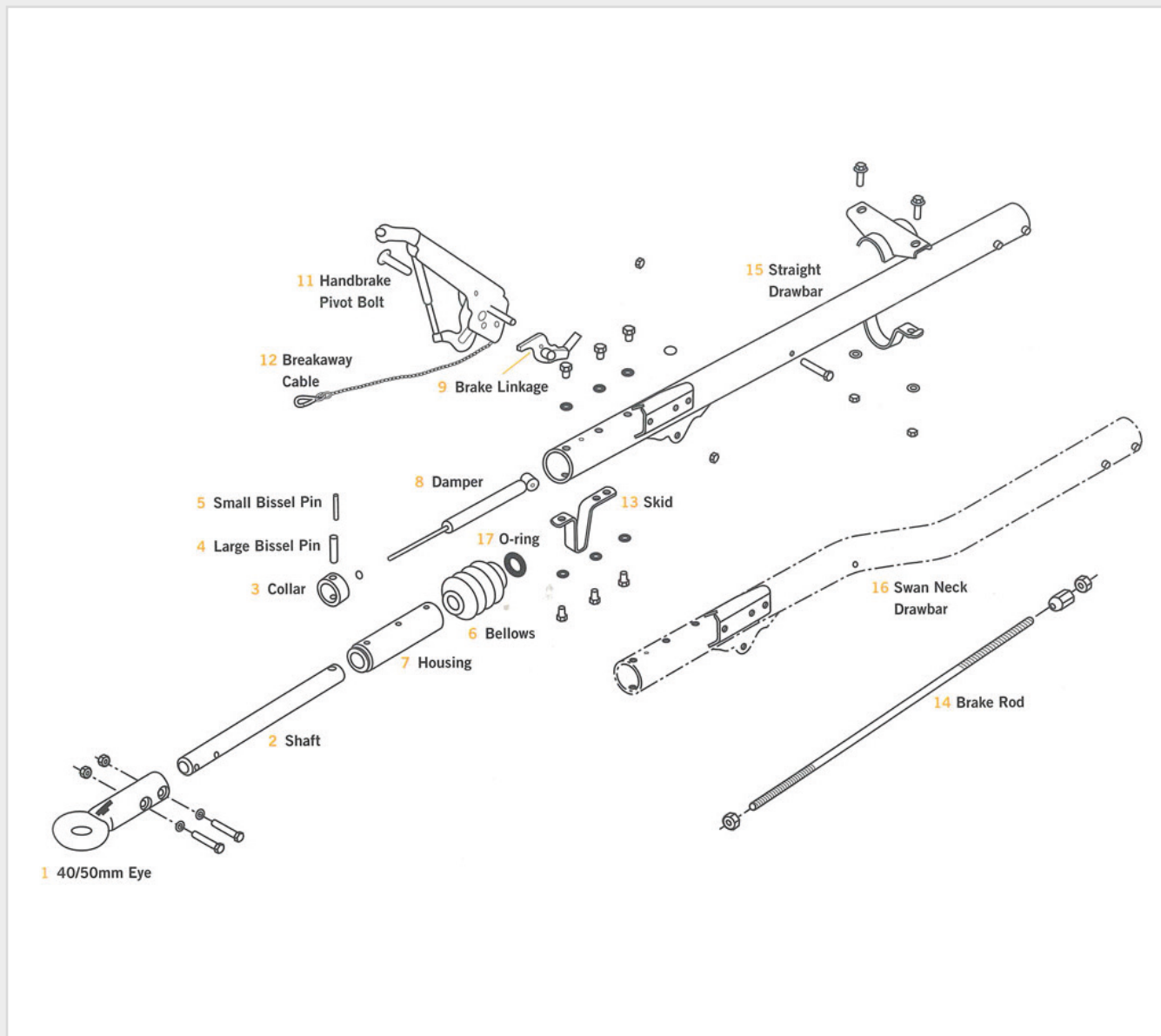
Code	Price 1	Qty Brk	Price 2
HTL0193	£5.60	6	£4.95

MAST SAFETY PIN

- 2 Pin Plug



Code	Price 1	Qty Brk	Price 2
HTL0001	£3.82	10	£3.47



SMC TL35 & TL90 DRAWBAR PARTS (ROUND TUBE)

Please note:

- These part are for the ETI 811 378 hitch
- If your hitch is not this number or you require other parts in this drawing, please call us with your hitch number on 01432 373 350

Code	Description	Pic Ref	Price
HTL0799	PRESSED STEEL 50MM BALLHEAD HITCH	1	£44.49
HTL0800	CAST STEEL 50MM BALL HEAD HITCH	1	£187.45
HTL0801	40MM TOWING EYE	-	£168.66
HTL0803	SOLID DRAWBAR	2	£109.80
HTL0804	VB9 BUMP STOP	4	£2.94
HTL0802	TOW HITCH BELLOWS	3	£7.69
HTL0805	GUIDE TUBE HOUSING	7	£82.09
HTL0806	BRAKE DAMPER	5	£112.49
HTL0807	BRAKE LINK	9	£37.54
HTL0809	HANDBRAKE ASSEMBLY	10	£106.85
HTL0808	HANDBRAKE PIVOT BOLT	7	£11.84
HTL0810	ALKO BREAKAWAY CABLE - GENUINE	9	£5.85
HTL0156	BREAKAWAY CABLE - PVC COATED	9	£2.29
HTL0811	SWAN NECK DRAWBAR & COUPLING ASSEMBLY	1-14 & 16	£674.80

SPECIAL OFFERS



VT1 LAMP

Metal halide lamp - 1000w 240 volt
E40 base OEM number: 7266

Code	Price 1	Qty Break	Price 2
SP000030	£35.00	6	£30.00



SMC TL35 & TL90 LAMP

Metal halide lamp 1000w
Replaces: Philips HP1-T 240 Volt

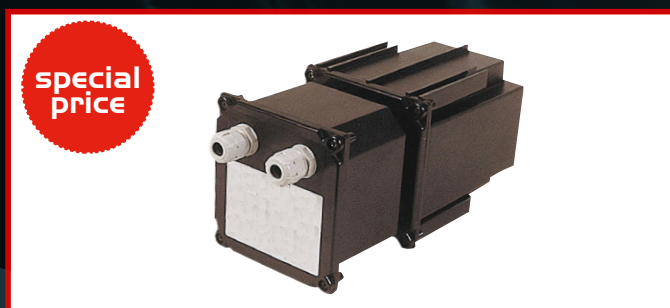
Code	Price 1	Qty Break	Price 2
SP000032	£43.75	6	£40.00



VB9 LAMP

HQI Halide lamp 400 watt Fits VB9 tower heads
Replaces 12662-02 HEL0495 & HEL1217

Code	Price 1	Qty Break	Price 2
SP000034	£22.50	6	£20.00



VT1 LAMP BALLAST UNIT

To fit gen set IP66 Rated
1000w Replaces 7267

Code	Price 1	Qty Break	Price 2
SP000415	£120.00	2	£115.00

Please note all product codes that start with 'SP' are net and subject to no further discount.

All other prices are list prices and your standard discount can be applied.